

IDI MDS

INCLUDED WITH YOUR MDS SYSTEM

MDS

- MDS tower
- Dual 8" HD mini Preview monitors
- Dual multi-linked monitor arms with vertical travel
- 4 shelves with medical rails
- Cable source kit
- Accessory basket and cable hook
- Power strip and isolation transformer
- Padded monitor protection covers

Router

- IPS1000 router with tablet-based control .
- Up to 3 monitor outputs
- Up to 10 Inputs - DVI, SDI, S Video, VGA signals
- Tablet controller (wired or wireless) with articulated arm and charging cradle
- Single, PIP and Split Screen mode

Monitors

- Two 26" HD LED high brightness monitors

Warranty

- One year warranty



IDI MDS

AN INTUITIVE AND COST-EFFECTIVE VIDEO INTEGRATION SOLUTION

From the market leader in mobile video integration



Intuitive tablet control of image routing

SELECTED OPTIONAL ACCESSORIES



Accessory Basket Kit

Accessory basket for customer supplied foot switch or accessory storage. Requires medical rail shelf. Includes basket and rail clamp.



Endo Shelf

Includes medical rail shelf with bi-lateral slide-out for MDS or MDS D.



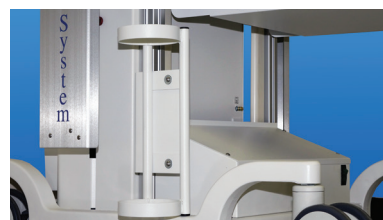
Suction Canister Kit

Includes: 2 suction canister rail clamps and brackets suitable for 3000 ml canister.



Shelf with Keyboard

Kit includes: (A280-0130) medical rail shelf with sliding keyboard carriage for customer supplied keyboard.



CO2 Bracket Kit

Includes pair of CO2 bottle holder brackets for customer-supplied gas bottles.



Medical Rail Shelf

Includes medical rails.

Portable multi-modality routing for:

- Hybrid vascular overflow
- Multi-purpose urology rooms
- GI Sites – ERCP, EBUS, and EUS
- Neurosurgery
- General and specialty surgery



Certifications: IEC/EN 60601-1:2005, 3rd edition;
ANSI/AAMI ES60601-1: 2005
CSA 60601-1-08
ConductOR is a trademark of NDS Surgical Imaging, Inc.
Specifications are subject to change without notice.

D000-1667E

idi
Image Diagnostics Inc.
Redefining Mobile Imaging

Image Diagnostics

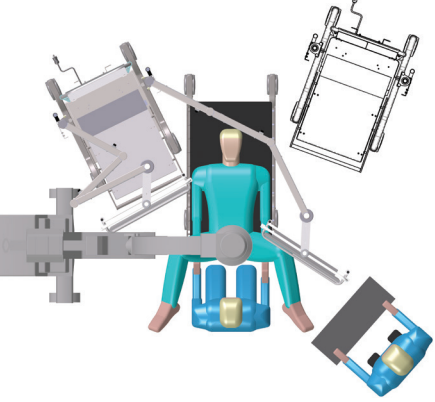
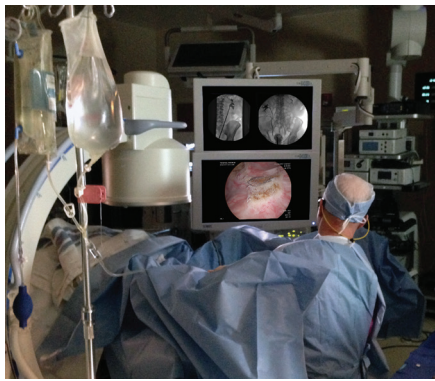
Since 1986, IDI has been a manufacturer of innovative products for surgical, interventional and diagnostic imaging.

IDI is committed to superior product design, value and customer support in everything we do.

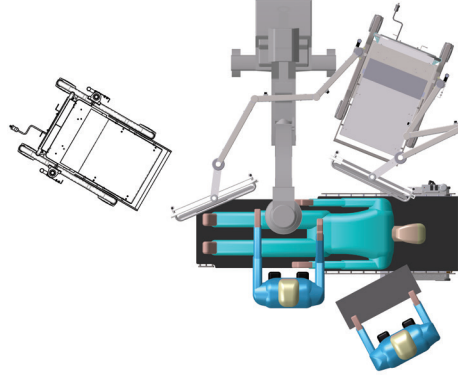
Image Diagnostics, Inc.
310 Authority Drive
Fitchburg, MA, 01420 USA
Tel: 978-829-0009
Fax: 978-829-0027
www.imagediagnostics.com

IDI MDS

UROLOGY VASCULAR

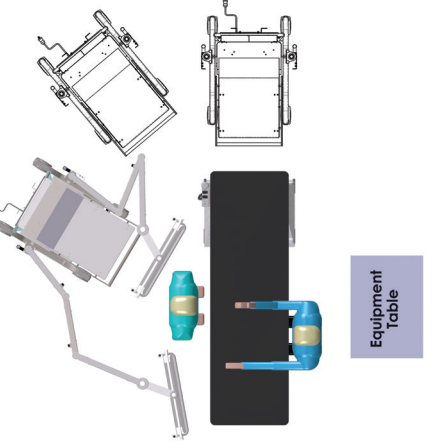
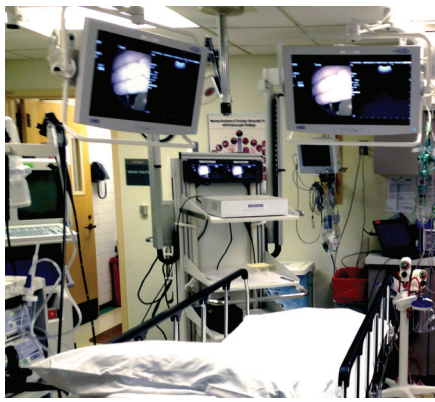


- Complete urology suite
- Ergonomic positioning
- Position monitors for standing or sitting
- Bilateral access
- Enhances room utilization

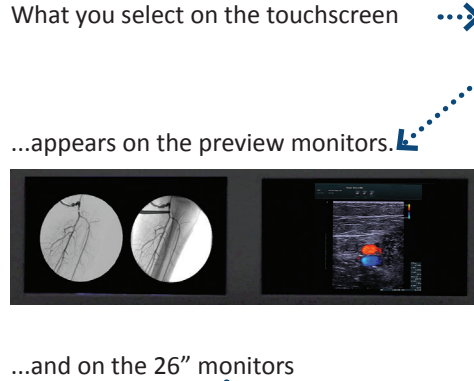


- Vascular overflow
- Multimodality imaging
- Centralized image viewing
- Reduces table-side clutter

GI / GENERAL SURGERY / OBGYN INTUITIVE TOUCHSCREEN ROUTING



- ERCP, EBUS Bronchoscopy
- Enhances Table Access
- Improves Workflow
- Consolidates Images



Intuitive Touchscreen Routing for multimodality routing in the OR

Routing options are graphically and color coded for easy identification: Green buttons represent active inputs. Blue buttons are active monitors. Images are displayed in front of you on the mini preview monitors, minimizing staff confusion

The MDS accepts analog and digital signals from multiple sources including: C-Arm, ultrasound, hemodynamics, microscopes, cameras, image guidance, PACS and all image intensifier and flat detector fluoro technologies.

Easy monitor positioning
Fully-counterbalanced articulating arms for easy manual positioning with up to 36" (91cm) vertical travel and up to 76" (193cm) horizontal extension.

Brilliant 26" HD monitors
High-brightness monitors display over-the-table images in wide-screen, picture-in-picture or split screen modes.

Input image from any video source
Multi-modality image viewing from any video source including C-arm fluoro, camera, ultrasound, PACS, patient monitoring.

Simple video routing with touchscreen control
An intuitive touch pad controller makes routing images easy to understand. The layout and color-coded source and destination buttons help eliminate the need for constant staff training.

Preview monitors
Image Diagnostics, Inc.

Only the MDS provides instant display of the input source, monitor and image configuration you've made from the touchscreen on eye-level mini preview monitors which are automatically mirrored on the full-size monitors.

Portable image
Combine MDS with your C-arm and mobile table for a completely portable suite for urology, vascular, GI or other applications.

The MDS Advantage

Customers have found the MDS :

Lowest Cost of Ownership
The MDS Installs in hours with no site planning meetings or construction costs that disrupt your Operating Room. The modular design is easy to upgrade as your technology changes.

Improves Patient Access
Over-sized shelves allow customers to consolidate equipment on the MDS. Multi-linked arms bring images to the field and open up the space around the OR table and keep your staff from having to make last minute positioning adjustments.

Increases Room Efficiency
Rooms don't have to be configured for a given surgical specialty. The mobility of the MDS accommodates your clinical need and can be moved out of the way when not.

Is Safer by Design
The MDS Routing system is controlled by a intuitive color coded touchscreen tablet that makes video routing simple. If the touchscreen tablet is not available, users can select images to display using the router's control screen.

Superior Adaptability
The MDS patented multi-linked suspension arms navigate around the most cluttered O.R. to optimize monitor placement.