

ivNow®

Patent WO 2010/030746
Canada Patent 2692640



ivNow-3
pedestal-mounted counter
top module with tilt kit
3L BAGS SHOWN

ivNow-1
counter top module
1L BAG SHOWN

Mounting Options



Modular configuration

- Wall mount: 1-6 bag capacity
- Countertop: 1-3 bag capacity
- Pole mount: 1-3 bag capacity

Accommodates 0.5L, 1L, 2L & 3L bags

Anodized aluminum heat plate

Lightweight, medical grade plastic housing

Intelligent bag sensors

Dual temperature sensors

Heats to 40°C (104°F) in 30 minutes or less*

*3L bags require slightly longer heating time

Accuracy of +0°/-2°C (+0°/-3°F)

Seismic Horizontal Wall Mount Bracket
Kit is OSHPD approved. OPA-0698-10

3L Bag Wall Mounted Tilt Kit
is OSHPD approved
OPA-0060-13

ENTHERMICS Medical Systems

An ISO 13485:2003 certified company

the warming people®
FLUID & BLANKET WARMERS

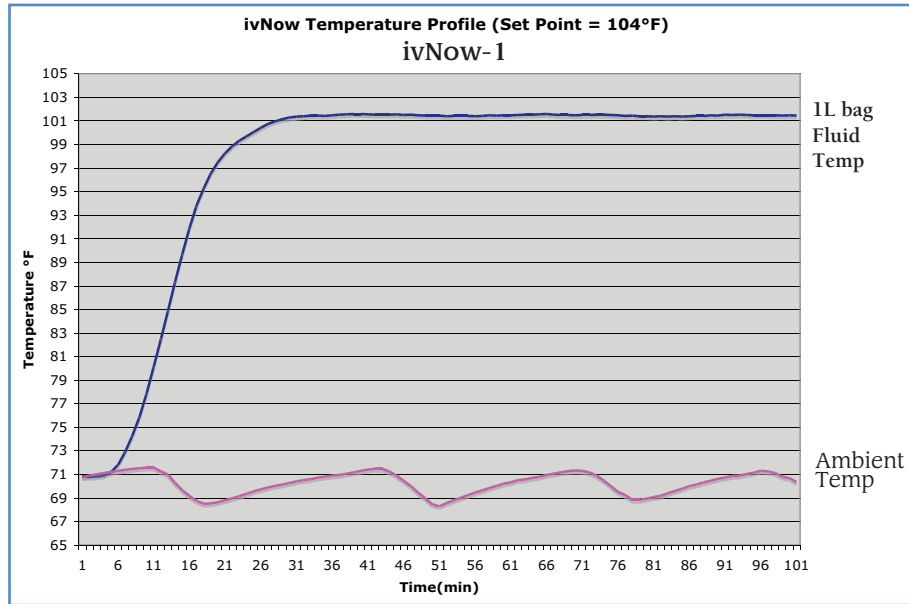
www.ivnow.com

*Experience the Entermics difference:
Quality beyond comfort.*

ivNow® Modular Fluid Warmer

The ivNow fluid warmer quickly warms and maintains the temperature of injection/intravenous and irrigation solutions prior to their use. The specially contoured warming module cradles solution bags in 0.5-, 1-, 2- & 3-liter sizes. Three liter bag capacity available on ivNow-1, ivNow-2, & ivNow-3 with an additional adapter. Individual ivNow units cannot be stacked in the field. Multiple cavity units are available from the factory in the configurations below. The unit is controlled by one (1) power switch and individual electronic controls with L.E.D. display for each cavity. The control can easily be set to display temperatures in Celsius or Fahrenheit. A sensor in the heating

plate detects the presence of a bag and engages the heating mechanism to quickly begin warming the fluid. Two (2) temperature sensors work in unison to precisely and continuously read the temperature of the bag and another sensor monitors the plate temperature. A green ready light will illuminate when fluid is within $\pm 0/-2^{\circ}\text{C}$ ($\pm 0/-3^{\circ}\text{F}$) of the set point temperature. The heater will reengage as necessary to maintain the temperature within $\pm 0/-2^{\circ}\text{C}$ ($\pm 0/-3^{\circ}\text{F}$) of the set point. The electronic control monitors the length of time the bag has been held at temperature, beginning when the bag reaches set point temperature. A status button will display the time the fluid has been held at temperature.



Available Configurations

Note: Individual ivNow units cannot be stacked in the field. Multiple cavity units are available from the factory in the configurations below. Three liter bag capacity available on ivNow-1, ivNow-2, & ivNow-3 with an additional adapter.

ivNow-1 (one (1) bag capacity) can be placed directly on a counter top, mounted on an optional counter top pedestal stand, mounted on a mobile equipment pole stand, mounted on a wall using brackets, or mounted to a 3-liter bag tilt kit*.

ivNow-2 (two (2) bag capacity) can be placed directly on a counter top, mounted on a counter top pedestal stand, mounted on a wall using mounting brackets, or mounted to a 3-liter bag tilt kit*.

ivNow-3 (three (3) bag capacity) must be mounted on a counter top pedestal stand, a heavy duty mobile equipment pole stand, on a wall using mounting brackets, or mounted to a 3-liter bag tilt kit*.

ivNow-4 (four (4) bag capacity) must be mounted on a wall using mounting brackets*.

ivNow-5 (five (5) bag capacity) must be mounted on a wall using mounting brackets*.

ivNow-6 (six (6) bag capacity) must be mounted on a wall using mounting brackets*.

*Mounting hardware sold separately.

ivNow® Modular Fluid Warmer

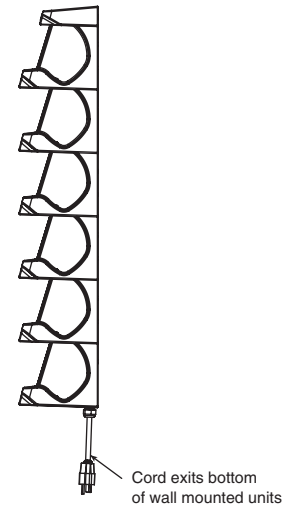
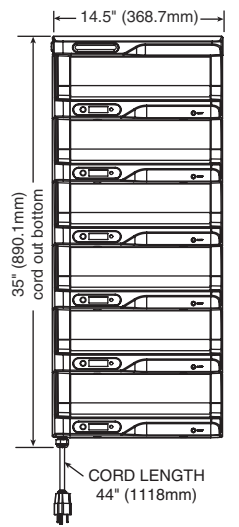
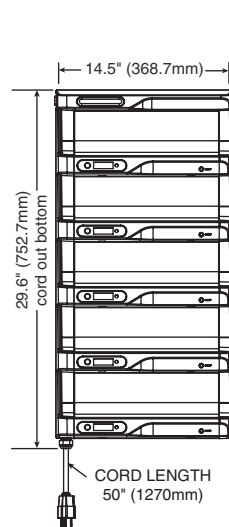
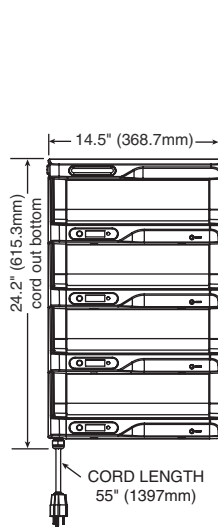
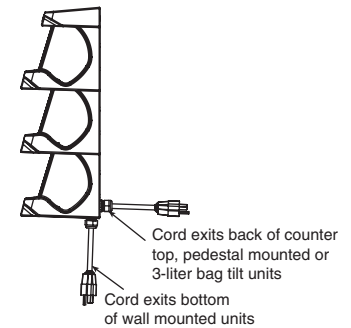
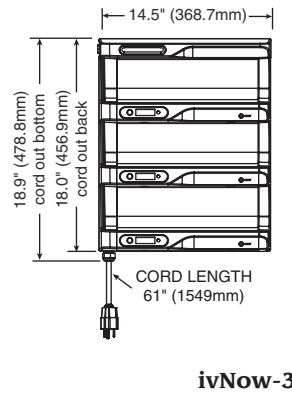
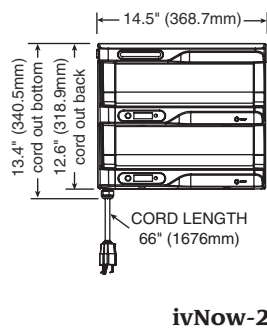
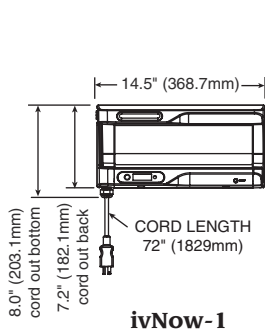
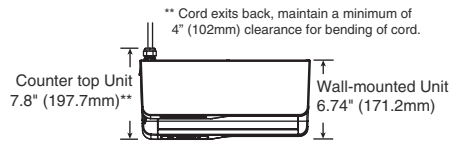
Specs	ivNow-1	ivNow-2	ivNow-3	ivNow-4	ivNow-5	ivNow-6	Plug	Certification
Height (wall unit)	8.0" (203.1mm)	13.4" (340.5mm)	18.9" (478.8mm)	24.2" (615.3mm)	29.6" (752.7mm)	35" (890.1mm)	—	—
Width (wall unit)	14.5" (368.7mm)	14.5" (368.7mm)	14.5" (368.7mm)	14.5" (368.7mm)	14.5" (368.7mm)	14.5" (368.7mm)	—	—
Depth (wall unit)	6.74" (171.2mm)	6.74" (171.2mm)	6.74" (171.2mm)	6.74" (171.2mm)	6.74" (171.2mm)	6.74" (171.2mm)	—	—
Cavities	1	2	3	4	5	6	—	—
Net Weight	8 lbs (4 kg)	14 lbs (6 kg)	20 lbs (9 kg)	25 lbs (11 kg)	31 lbs (14 kg)	37 lbs (17 kg)	—	—
Ship Weight	11 lbs (5 kg)	16 lbs (7 kg)	23 lbs (10 kg)	28 lbs (13 kg)	34 lbs (16 kg)	40 lbs (18 kg)	—	—
120V							NEMA 5-15P 15A - 125V Plug Hospital Grade	UL 52MM
AMPS//kW	1.3//0.15	2.5//0.3	3.8//0.45	5.0//0.6	6.3//0.75	7.5//0.9		
Hz//PH	60//1	60//1	60//1	60//1	60//1	60//1		
230V							BS 1363 Plug* (UK only) CEE 7/7* 220-230V Plug	CE
AMPS//kW	0.7//0.15	1.3//0.3	2.0//0.45	2.6//0.6	3.2//0.75	3.9//0.9		
Hz//PH	50/60//1	50/60//1	50/60//1	50/60//1	50/60//1	50/60//1		

*Other international plugs are available, contact factory for more information.

Note:

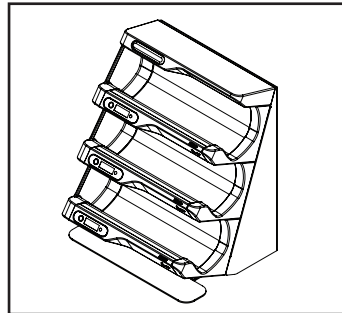
- Counter top unit (1 or 2 cavity), power cord exits back of unit.†
- Wall mounted units (up to 6 cavities), power cord exits bottom of unit (shown below).†
- Mobile equipment pole mounted unit (up to 3 cavities), power cord exits bottom.†
- Counter top pedestal mounted units (up to 3 cavities), power cord exits back.†
- Counter top or Wall mounted units (up to 3 cavities) with 3-liter bag tilt kit, power cord exits back.†

†Cord position is interchangeable, instructions available through service.

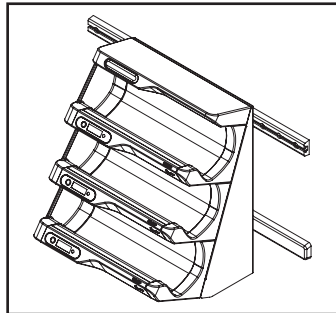


ACCESSORIES		ivNow-1	ivNow-2	ivNow-3	ivNow-4, -5, -6
3L Bag Tilt Kit	COUNTER TOP	(cord exits back of unit) 5014126	(cord exits back of unit) 5014127	(cord exits back of unit) 5014128*	—
	WALL MOUNTED	(cord exits back of unit) 5014129	(cord exits back of unit) 5014130	(cord exits back of unit) 5014131*	—
	WALL MOUNTED OPA-0060-13	(cord exits back of unit) 5017700	(cord exits back of unit) 5017701	(cord exits back of unit) 5017702*	—
GCX Light Duty Roll Stand for Devices & Bracket Kit		mount to GCX equipment stand - stand included (cord exits bottom of unit) 5012246	—	—	—
GCX Heavy Duty Roll Stand for Devices & Bracket Kit		—	mount to GCX equipment stand - stand included 5013312	mount to GCX equipment stand - stand included 5013312	—
Bracket Kit for Equipment Stand		mount to equipment stand or mast - stand not included (cord exits bottom of unit) 5012735	—	—	—
Bracket Kit for Horizontal Wall Mount		one (1) GCX horizontal rail included 5012734	one (1) GCX horizontal rail included 5012734	two (2) GCX horizontal rails included 5012242	(cord exits bottom of unit) two (2) GCX horizontal rails included 5012242
Bracket Kit for Seismic Horizontal Wall Mount OPA-0698-10		one (1) GCX horizontal rail included 5016601	one (1) GCX horizontal rail included 5016601	two (2) GCX horizontal rails included 5016602*	two (2) GCX horizontal rails included 5016602*
Vertical Wall Channel Mount & Bracket Kit		one (1) GCX vertical rail included 5012241*	one (1) GCX vertical rail included 5012241*	one (1) GCX vertical rail included 5012241*	one (1) GCX vertical rail included 5012241*
Bracket Kit for Vertical Wall Channel Mount		GCX vertical rail not included 5012288*	GCX vertical rail not included 5012288*	GCX vertical rail not included 5012288*	GCX vertical rail not included 5012288*
Bracket for Mounting to Harloff Anesthesia Cart		1015253	1015254	1015255	—

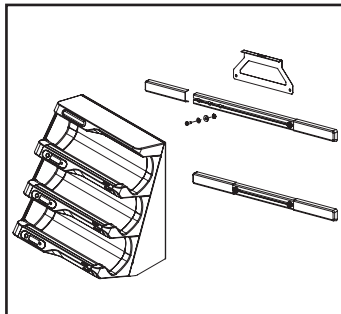
* See equipment diagram below



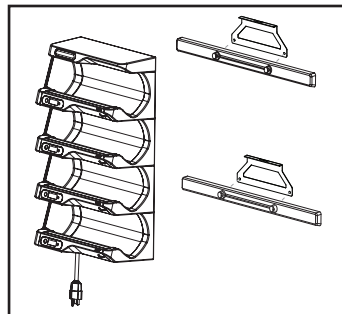
3L Bag Tilt Kit for counter top units (5014128 shown)



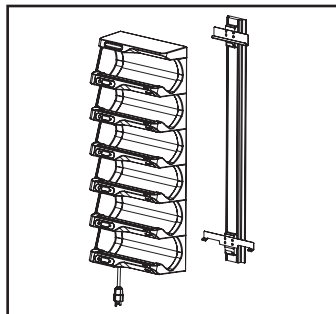
3L Bag Tilt Kit for wall mounted units (5014131 shown)



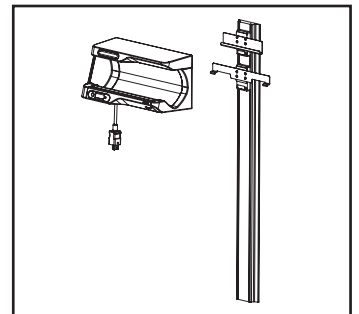
3L Bag Tilt Kit for wall mounted units (5017702 shown)
OPA-0060-13



Bracket Kit for Seismic Horizontal Wall Mount 5016602 (ivNow-3 to -6)
OPA-0698-10



(ivNow-6 shown above)
Vertical Wall Channel Mount Bracket Kit 5012241
Brackets only 5012288



(ivNow-1 shown above)



An ISO 13485:2003 certified company

Enthermics Medical Systems - The Warming Company®

PO Box 443 · Menomonee Falls WI 53052-0443

W164 N9221 Water St · Menomonee Falls WI 53051

Phone 262-251-8356 · 800-862-9276 · Fax 262-251-7067

generalinfo@enthermics.com

www.enthermics.com · www.ivnow.com