

CHAMPION™

Quality Healthcare Seating Products

Passage MEDICAL RECLINER

RATED UP TO 300 LBS.

Part #PS SWING-AWAY ARM
Part #PF FIXED ARM



Shown with optional side table and cup holder.



Gently curved to cradle patient.

STANDARD FEATURES

Fixed or swing-away arms (depending on model)

Trendelenburg

Three-position mechanism

3" thermoplastic casters (four locking casters)

High-grade polyurethane foam

Soft vinyl (medical grade)

The Passage recliner offers soft, radius lines for a more “at-home feeling” that fits flawlessly in a patient room setting. The Trendelenburg feature comes standard and is unmatched in efficiency and ease of operation. The Passage is ideal for use in oncology, surgery centers, dialysis, infusion therapies, patient rooms, long-term care environments, at-home infusion, other home therapies *where patient transport in the recliner is not needed.*

Foot-release Trendelenburg



Swing-away arm (PS model only)



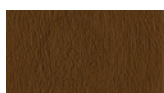
Locking casters



CHAMPION SOFT VINYL SELECTION



Wheat
FS12



Oxford Brown
FS13



Wildflower
FS31



Pebble Gray
FS22



Harbor Blue
FS26



Navy Blue
FS17



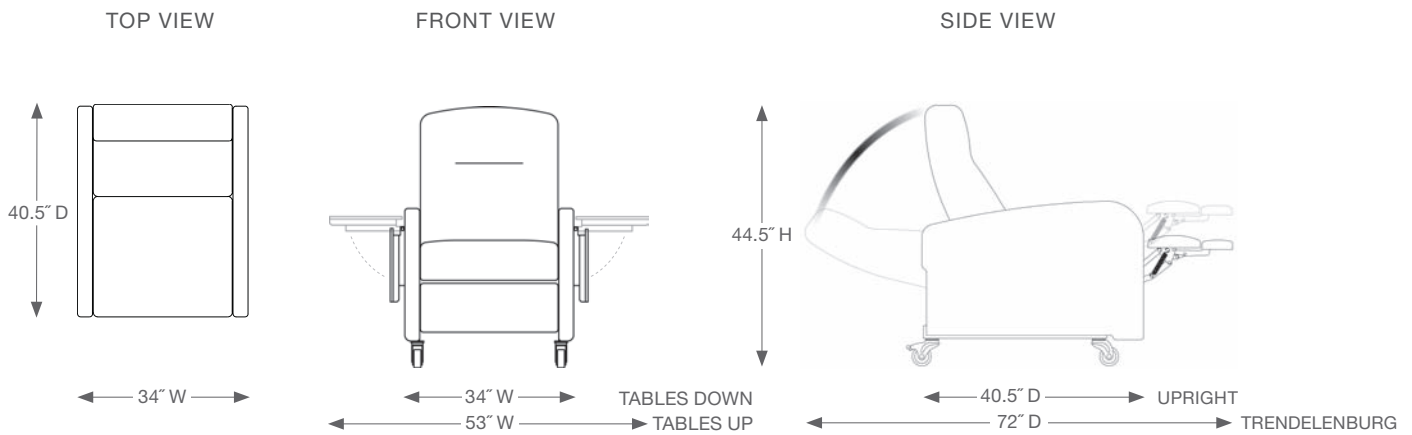
Tapestry Green
FS35



Olive Tree
FS30

Printed color swatches may not be an exact match to actual fabrics and are enlarged to show detail.

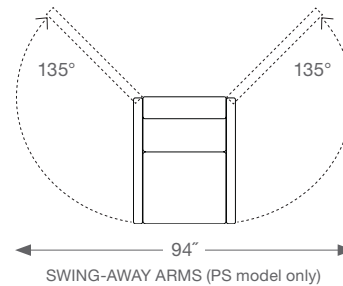
SPACE REQUIREMENTS



SPECIFICATIONS

Weight capacity	300 lbs.
Back height (from floor/seat)	44.5"/26"
Overall width (2 tables down/up)	34"/53"
Seat width	22.5"
Arm height (from floor, front/back)	26.5"/21.5"
Seat height/depth	19.5"/19.5"
Upright overall depth	40.5"
Trendelenburg depth	72"
Thermoplastic casters	3"

TOP VIEW WITH SWING-AWAY ARMS



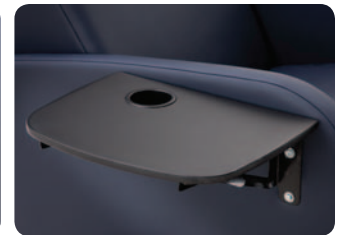
OPTIONS

Push handle (H)
First fold-away side table – Black (FB)
Second fold-away side table – Black (SB)
Wood legs – (WD) (option will add approximately 1/4" to all height measurements of chair)
Cupholder – Patient left (CL), Patient right (CR), or both left and right (C)
Heat
Heat and massage
CAL 133 fire barrier*
Vinyl upgrades
Champion graded vinyl
Customer's own material (COM)
PVC-free material

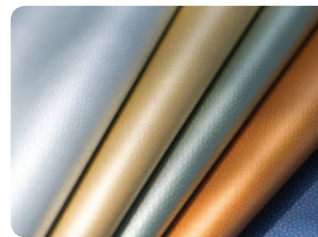
*Contact Champion for a list of fire-tested vinyls.



HEAT AND MASSAGE



SIDE TABLE WITH CUPHOLDER (optional)



VINYL UPGRADES



WOOD LEGS

ACCESSORIES

Provide your patient the best care and comfort with an over-the-lap tray, cup holders, head pillow, IV poles or an oxygen tank holder. For a

complete list of our accessories, please see our *Accessories* brochure or ask your Champion sales representative for more information.

CHAMPION™ Champion Manufacturing, Inc. | 1.800.998.5018
Elkhart, IN 46516 | www.championchair.com

Information contained in this literature is based on the latest product data available at the time of printing. Photography, artwork, text and specifications are subject to change. Photography may show optional items. Due to photographic and printing processes, product colors in this brochure are not necessarily accurate. Champion Manufacturing, Inc. reserves the right to make changes to colors, materials, prices, standards, options, equipment and any specification at any time without notice or obligation. Contact Champion direct for additional information and the latest specifications.