

CHAMPION™

Quality Healthcare Seating Products

Continuum

MEDICAL RECLINER/SLEEPER CHAIR

RATED UP TO 400 LBS.

Part #720 MANUAL RECLINER



Product shown with optional two-tone vinyl upgrade.

The Continuum offers welcome comfort in a style perfect for patient rooms or any treatment center *where patient transport isn't needed*. Well-sized and roomy for patients up to 400 lbs., the Continuum boasts an infinite-position back rest that lets patients easily control their own comfort. A familiar, lever-driven leg rest is also easy to use. The left arm swings open for easy transfer and cleaning. Over-night patients or guests can lay themselves completely flat without staff assistance and sleep comfortably.

Easily converts to flat body position for nocturnal use.



Swing-away arm makes transferring easier.



STANDARD FEATURES

Lever activated foot rest and actuation release for back rest

Foot-release Trendelenburg (access from both sides of chair)

Steel, powder-coated frame

3" thermoplastic casters (rear locking)

Swing arm on patient's left side

Quick-release seat

Foot-release Trendelenburg



3" thermoplastic casters



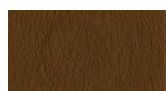
Lever-activated foot rest



CHAMPION SOFT VINYL SELECTION



Wheat
FS12



Oxford Brown
FS13



Wildflower
FS31



Pebble Gray
FS22



Harbor Blue
FS26



Navy Blue
FS17



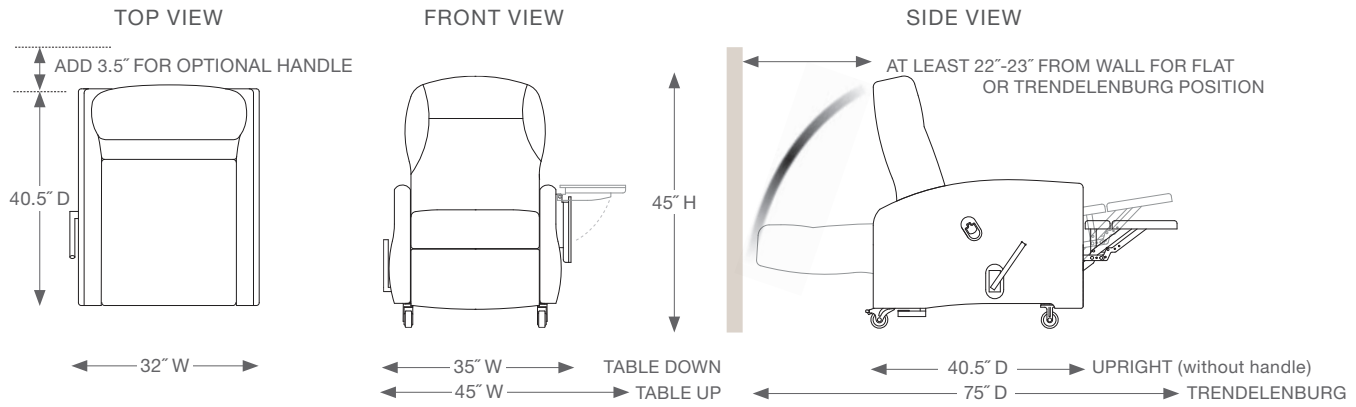
Tapestry Green
FS35



Olive Tree
FS30

Printed color swatches may not be an exact match to actual fabrics and are enlarged to show detail.

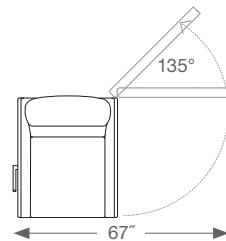
SPACE REQUIREMENTS



SPECIFICATIONS

Weight capacity	400 lbs.
Back height (from floor/seat)	45"/23"
Overall width (no table)	32"
Overall width (table down/up)*	35"/45"
Seat width	23.5"
Arm height (at highest point)	27"
Seat height/depth	22"/24"
Upright overall depth (with/without handle)	44"/40.5"
Thermoplastic casters	3"

TOP VIEW WITH SWING-AWAY ARM



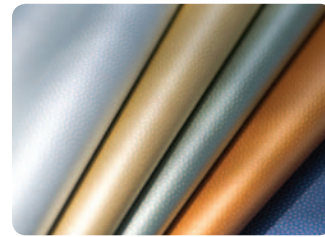
OPTIONS

Push handle (H)
Fold-away side table – Black-(FB)
Cupholder (C)
CAL-133 fire barrier (3)** (not available w/two-tone vinyl upgrade)
Vinyl upgrades
Champion graded vinyl selections***
Customer's own material (COM)
PVC-free material

*Measured with arms closed.

**Contact Champion for a list of fire-tested vinyls.

***For available patterns and colors for graded vinyl selections, please contact your Champion sales representative.



VINYL UPGRADES



SIDE TABLE

ACCESSORIES

Outfit your recliner for treatment use by adding accessories such as IV pole/bracket, IV pole basket and a LED reading light for nocturnal use.

For a complete list of our accessories, please see our *Accessories* brochure or ask your Champion sales representative for more information.

CHAMPION™

Champion Manufacturing, Inc.
 Elkhart, IN 46516

1.800.998.5018
www.championchair.com

Information contained in this literature is based on the latest product data available at the time of printing. Photography, artwork, text and specifications are subject to change. Photography may show optional items. Due to photographic and printing processes, product colors in this brochure are not necessarily accurate. Champion Manufacturing, Inc. reserves the right to make changes to colors, materials, prices, standards, options, equipment and any specification at any time without notice or obligation. Contact Champion direct for additional information and the latest specifications.

© 2013 Champion Manufacturing, Inc. Litho in USA CM-256 06/13