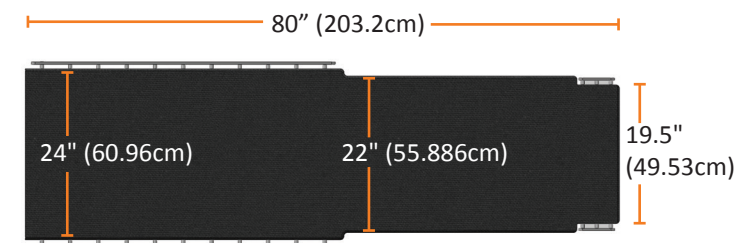


Aspect™ ISR G2 and Aspect 100-4T G2 Specifications

Table movements

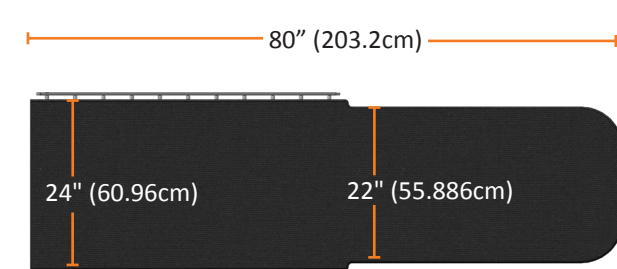
- 4-way manual floating tabletop with panning hand control.
 - Longitudinal tabletop travel: 32" (81.3 cm).
 - Transverse tabletop travel: 8" (20.3 cm).
 - Trendelenburg Tilt: ±12° with automatic "stop-at-level" positioning.
-
- Iso-centric lateral roll: ±12°. (Aspect ISR G2 only)
 - Transverse float is available regardless of tilt or roll position.
 - Dual-wheel 6 caster system with 3-position locking system: total unlock, total lock, and steering.
 - Automatic locking of longitudinal float when table is not level
-
- Aspect ISR G2: Elevation: 32" - 40" (81-102cm) with 2" (5cm) tabletop pad.
 - Aspect 100-4T G2: Elevation: 32" - 42" (78.4 - 103.8cm) with 2" (5cm) tabletop pad.

Tabletop dimensions for standard top X100-2492



- Top includes built in recessed side rails - 5" (13 cm) at the head end table. Facilitates the use of removable headrest and peripheral extension (optional) as well as catheter tray extension (optional).

Tabletop dimensions for optional top X100-2426



- Utility table top without head end side rails. Catheter tray extension (A100-1769) attaches to foot/pedestal end only. Head end trays and table extensions cannot be used.

Tabletop construction

- Carbon fiber, foam core, low x-ray attenuation construction with ~0.7mm Al equivalence.

Electrical

- Electrical power requirement: 115VAC < 10amps, 230V optional. (Must specify with order).
- Full operation from internal battery – includes battery status indicator.
- 20' (6 meter) power cord.

Standard accessories

- Tabletop Pad 2" thick, memory foam construction.
- Panning Hand Control, Rail-Mounted
- Pendant hand control (ISR G2 table only)
- Patient Restraint Straps (2)

Weight

- Patient weight capacity: 450 lbs. (204 kg)
- Table weight: 605 lbs. (274 kg)

Certifications:

- ETL listed to IEC 60601-1-6 3rd Edition
- IEC 60601-2-46.



idi

Image Diagnostics Inc.
310 Authority Drive
Fitchburg, MA 01420 USA
(877) 304-5434
imagediagnostics.com

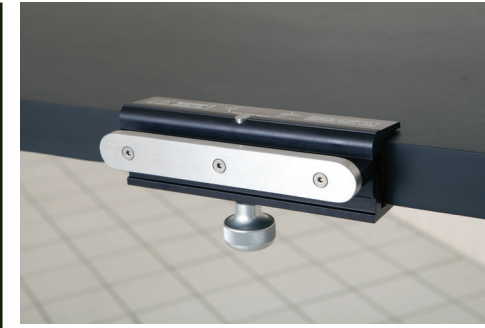
Image Diagnostics, Inc. reserves the right to update product specifications, without notification, as required. D000-580H

Aspect™ ISR G2 and Aspect 100-4T G2 Optional Accessories



Headrest extension

Articulating carbon fiber headrest, Attaches to the imaging end of the standard tabletop.



Clamp-on Accessory Rail

For attaching accessories to the table top. Rail is 6" long x 3/8" thick x 1-1/8" high.



VAB Armboard

Carbon fiber, one-piece, extra wide armboard for vascular access procedures.



Armboard

Quick-release, rail mounted
Requires Clamp-on Accessory Rail.



Arm Board

Carbon fiber, shoulder mount. Includes pad and strap.



Tabletop Catheter Tray Extension

24" wide. Mounts to pedestal end of table only. Maximum weight this extension can support is 20 Lbs. or 9 Kgs.



Tabletop Catheter Tray Extension

22" wide, mounts to imaging end of table only. Requires tabletop X100-2492. The maximum weight this extension can support is 20 Lbs. or 9 Kgs.



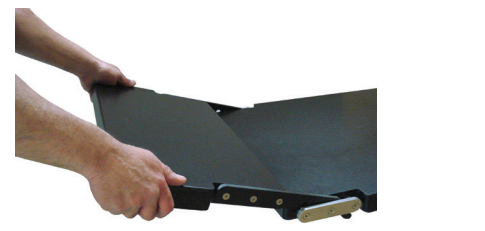
Radiation Shield

Articulating, rail-mounted. Attaches to table side-rail at base end of table, either side, adjustable. Articulating joint allows shield to conform to table contour. Snap-on upper section above level of tabletop is removable.



Side-rail clamp

Rotating, with socket for attachment of accessories with 5/8 inch circular post.



Peripheral Extension

Carbon fiber extension, mounts to imaging end of table only. 22" wide - requires tabletop X100-2492. Maximum weight for this extension is 25 lbs or 11.4 Kgs.



Foot control

Foot control for Aspect 100-4T G2 table. Foot control motions are: elevate/lower and Trendelenburg down/up.



Anesthesia Screen Holder

Flexible "hoop" style can be mounted to standard accessory rails with optional rotating side clamps (required) or directly mounted to the A100-2317 Headrest Extension (Right photo).

Aspect™ ISR G2 Aspect™ 100-4T G2 Vascular Imaging Tables

The ultimate tables for vascular and interventional procedures



idi
Image Diagnostics, Inc.
Safety, Simplicity, Quality

Aspect™ ISR G2

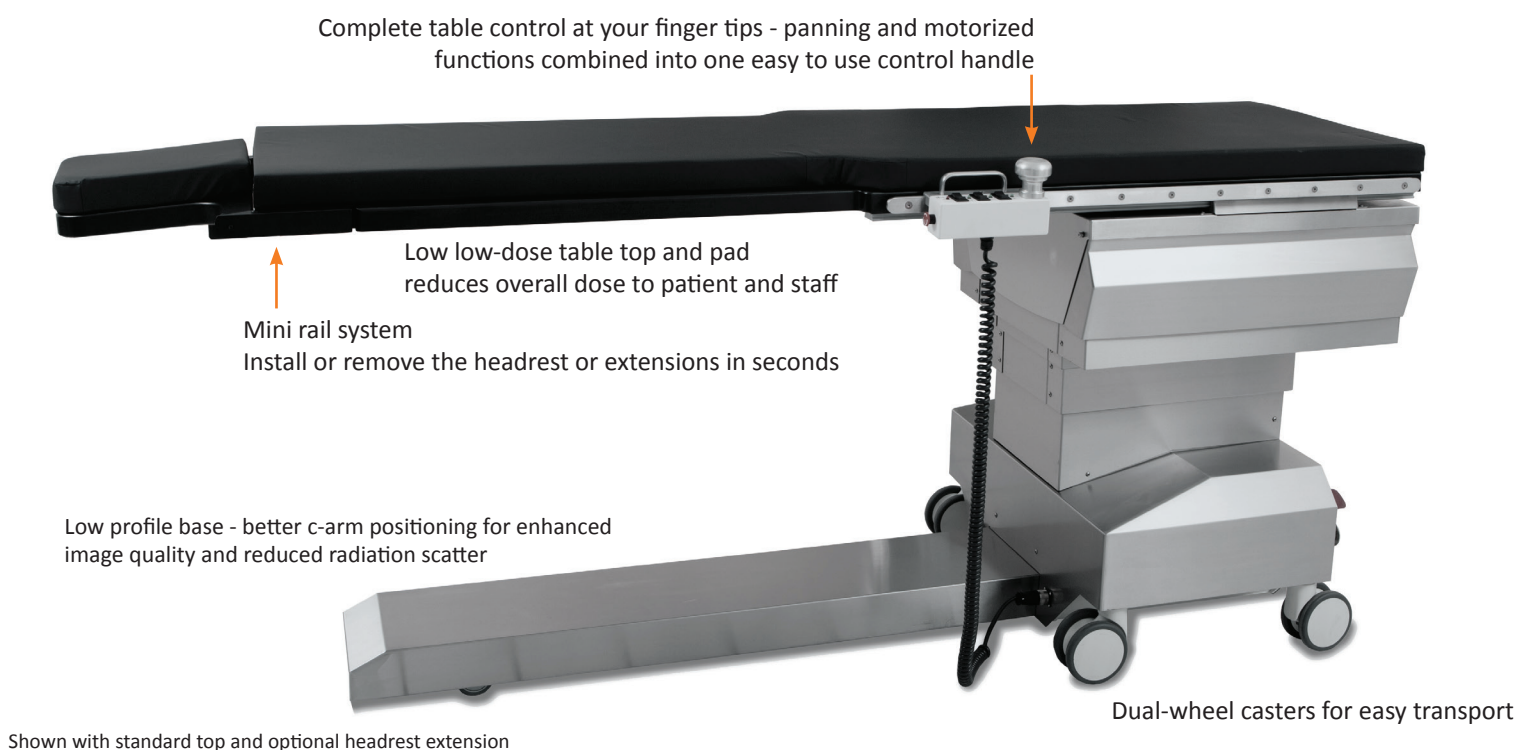
Full surgical articulation in a four way manual float table - Iso-centric roll and Trendelenburg tilt

The Aspect ISR G2 is the flagship of the Aspect series table line; designed to be the preferred imaging solution during interventional and vascular procedures. Featuring true iso-centric lateral roll - anatomy on the iso axis remains centered in the fluoroscopic field of view.

The ISR G2 provides longitudinal tabletop float of 32 inches (81.2 cm) in a very compact platform enabling comprehensive coverage throughout the anatomical imaging area without C-arm movement - and does so in a table with an ideal overall length of only 84 inches. With the addition of the optional head extension, the imaging area is increased to 74" (187cm).

A high-quality carbon fiber tabletop and 2" thick tabletop pad deliver minimal total x-ray attenuation.

Elevate and tilt functions are fully motor driven - no hydraulics - lower cost of service and no dangerous oil leaks!



Shown with standard top and optional headrest extension

- **Safety and functionality** - Lock out motorized functions without losing panning ability. Accidental release of the panning control is prevented by an intuitive handle release design. Operator retains panning capability during a procedure for positioning adjustments. No need repeatedly lock and unlock the panning handle.
- Short side rails on the head end of the table top (X100-2492) permits the installation of: headrest, tray extensions and accessories - in seconds - without installing full length side rails. No side rails means no artifacts in the main body of the table top. Roll and image into a lateral through the table edges or into a steep oblique - without stainless steel side rails in the field of view.
- **Enhanced patient and table positioning** - flat tabletop makes transfers easier when sliding patients on and off the table - large - easy to roll dual wheel casters include a table steer lock feature.
- **Reliability and simplicity of design** - IDI is a market leader in high-end imaging tables because we make tables that are easy-to-use and reliable. No leaky hydraulics ever!



Table motions shared by both tables



Trendelenburg tilt $\pm 12^\circ$ with auto "stop-at-level"



"Easy-float" technology longitudinal float 32" (81cm)



"Easy-float" technology transverse float 8" (20.3cm)

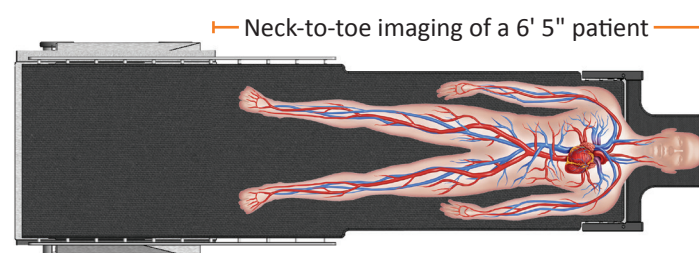


Motorized Elevation: Aspect ISR G2: 8" (25.3cm)
Aspect 100-4T G2: 10" (25.4cm)

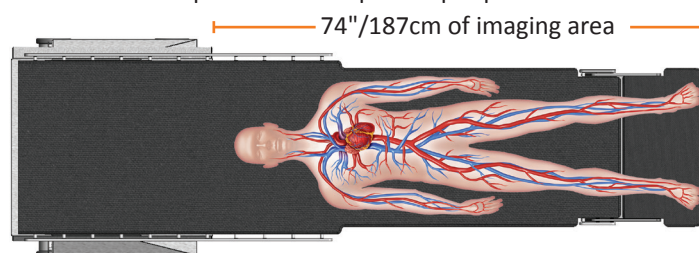
Table assets shared by both tables

Artifact-free imaging, with or without a headrest

Standard tabletop shown with optional head extension



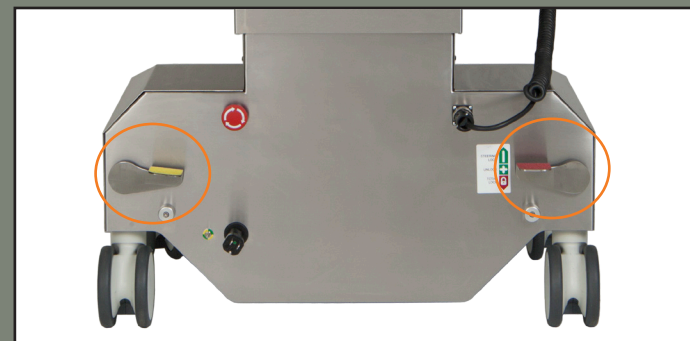
Standard tabletop shown with optional peripheral extension



Very large radiolucent imaging area. Low AL equivalency carbon fiber top for maximum safety to patient and staff.



For easy positioning and cable management, table controls connect on either side of the front or rear of the table pedestal.



3-position table locking from a dual pedals: Full Lock, Full Unlock, Steering Lock (only center casters locked) for easy transport and positioning.

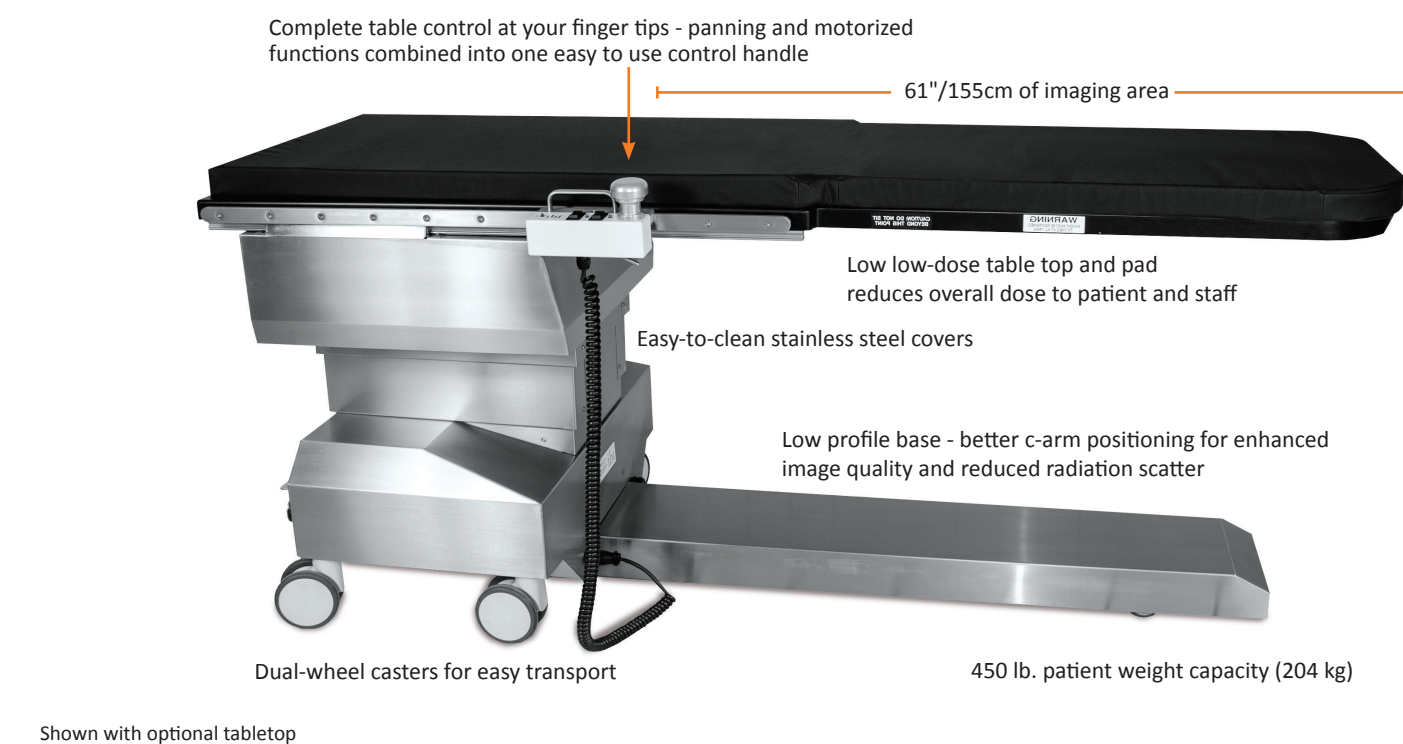
Aspect™ 100-4T G2

Value-based four way manual float table with Trendelenburg tilt.

Aspect 100-4T G2 has all the world class features customers have grown to appreciate on the ISR platform minus iso-centric roll. The 100-4T G2 has quickly become the table of choice for budget conscious outpatient centers. The table has a compact space-saving platform with full stainless wrap: no bellows to collect contaminants - and no exposed components.

The 100-4T G2 table provides effortless 4-way floating tabletop motion via a rail-mounted panning hand control. Tilt and elevate functions are controlled via the table-mounted hand control and may also be controlled by an optional footswitch or pendant.

Trendelenburg tilt is accomplished with automatic "stop-at-level" positioning. Longitudinal table float automatically locks out until the table is level and the panning hand control is activated. A high-quality carbon fiber tabletop and 2" thick tabletop pad deliver minimal total x-ray attenuation. As in the ISR - elevate and tilt functions are fully motor driven - no hydraulics - lower cost of service and no dangerous oil leaks!



Shown with optional tabletop



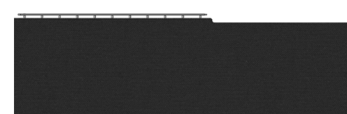
Faster and safer fingertip control of all table functions

"Easy-float" panning control doesn't require a second lockout step. For fast and precise control of all table functions.

Tabletops for Aspect ISR G2 & Aspect 100-4T G2



Standard Tabletop



Optional Tabletop



Combine either table with IDI's MDS Mobile Display System and your C-Arm for a complete mobile vascular suite.