

CHAMPION™

Quality Healthcare Seating Products

Ascent II XL

BARIATRIC RECLINER/TRANSPORTER

RATED UP TO 500 LBS.

Part #680 MANUAL RECLINER
Part #68P POWER RECLINER



Shown with optional second side table.

Elegant and stylish, the Ascent II XL recliner puts a new spin on bariatric treatment seating. The curved top-line of the seat back offers additional head room while the “wing-back” design adds style and customization options for designers. Standard features such as swing-away arms, removable seat and four-inch twin wheel casters offer a wide range of benefits for the patient, caregiver and technician.



Z-spring construction for greater comfort.

All steel, powder-coated frame for durability.

STANDARD FEATURES

- Swing-away arms
- Fold-away side table (one)
- Push handle
- Retractable foot tray
- 4" twin wheel casters
- Wall-hugger mechanism (infinite recline positions)
- Quick-release seat

4" twin wheel casters



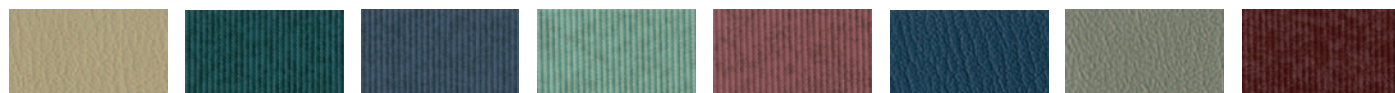
Wall-hugger recline mechanism



Quick-release seat



STANDARD VINYL SELECTION



Natural T09

Aquamarine T19

Bonnie Blue T21

Iced Mint T26

Tearose T43

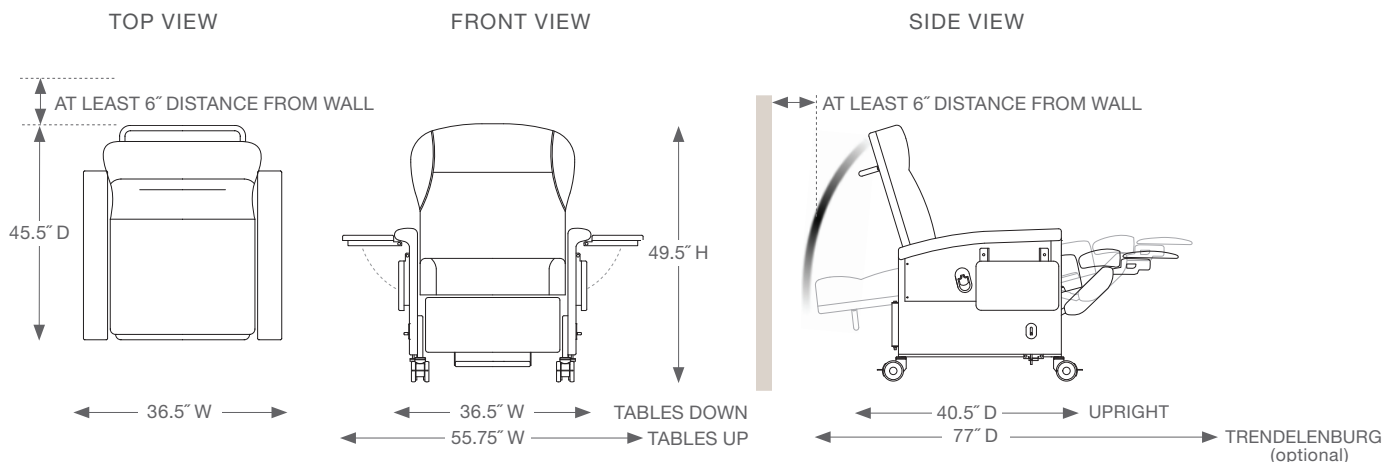
Colonial Blue T45

Gray T56

Cranberry T96

Printed color swatches may not be an exact match to actual fabrics and are enlarged to show detail.

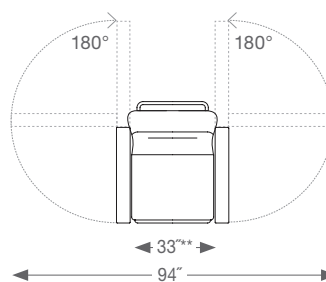
SPACE REQUIREMENTS



SPECIFICATIONS

Weight capacity	500 lbs.
Back height (from floor/seat)	49.5"/29.75"
Overall width (2 tables down/up)*	36.5"/55.75"
Seat width	27.5"
Arm height (from floor, front/back)	29"/26"
Seat height/depth	24.5"/21"
Upright overall depth (w/handle)	40.5"
Twin wheel casters	4"

TOP VIEW WITH SWING-AWAY ARMS



OPTIONS

Trendelenburg (T)

Additional fold-away side table (S7)

Arm cap - (E)

Cupholder - on all tables (C), on one of two tables, specify CUP-HOLDER (right or left)

Heat (J) - (680 manual model only)

Heat and massage (JM)

CAL 133 fire barrier (3)***

Vinyl upgrades

Champion, graded vinyl selections****

Customer's own material (COM)

PVC-free material

Dual-hand control (DUALACT-PWR) - (68P model only)

Battery backup (BATTERY) - (68P model only)

*Measured with both arms closed.

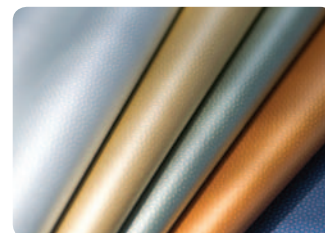
**With arms swung open, width of chair is 33".

***Contact Champion for a list of fire-tested vinyls.

****For available patterns and colors for graded vinyl selections, please contact your Champion sales representative.



HEAT OR HEAT/MASSAGE



VINYL UPGRADES



TRENDLENBURG



ARMS CAP

ACCESSORIES

Provide your patient the best care and comfort with an over-the-lap tray, cup holders, head pillow/lumbar support, cushion wedge/arm support, footrest extender, TV mount, nocturnal sleep pad, side guards, IV poles

or an oxygen tank holder. For a complete list of our accessories, please see our *Accessories* brochure or ask your Champion sales representative for more information.

CHAMPION™ Champion Manufacturing, Inc. | 1.800.998.5018
 Elkhart, IN 46516 | www.championchair.com

Information contained in this literature is based on the latest product data available at the time of printing. Photography, artwork, text and specifications are subject to change. Photography may show optional items. Due to photographic and printing processes, product colors in this brochure are not necessarily accurate. Champion Manufacturing, Inc. reserves the right to make changes to colors, materials, prices, standards, options, equipment and any specification at any time without notice or obligation. Contact Champion direct for additional information and the latest specifications.